

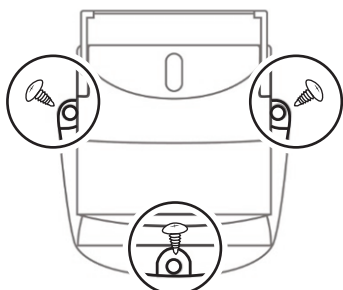


# PTD Installation Guide

Download Manuals  
<http://manual.blueeyes.com.tw>

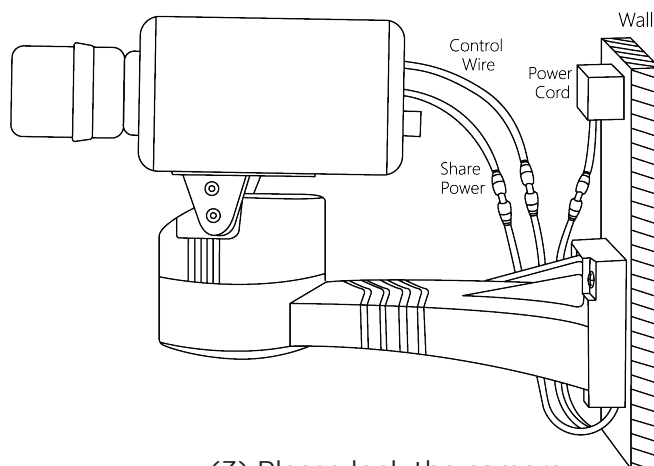
## 1 Fix on the wall

Please use three screws (types of screw depends on material of wall) to fix pan tilt driver on the wall.



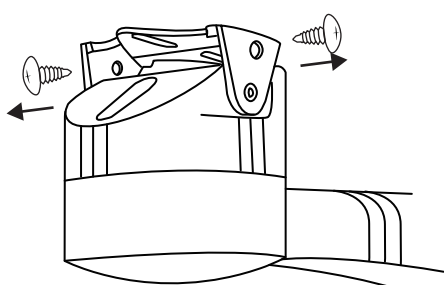
**!** The pan tilt driver is not supposed to be fixed on the ceiling or hanging. The only way to assemble the camera is fix on the pan tilt driver, and fix the pan tilt driver on the wall vertically. As following.

## Installation diagram

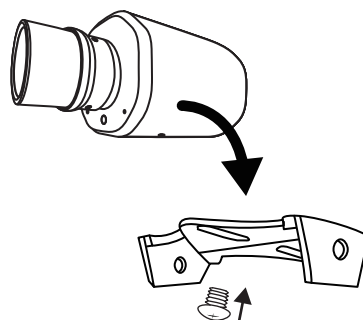


## 2 Assemble iCam PRO camera

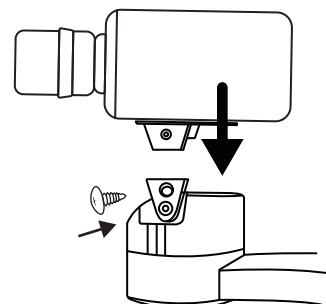
(1) Take the screws out of pan tilt driver (each one on the each side)



(2) Assembling the camera on the iCam/iCam PRO camera

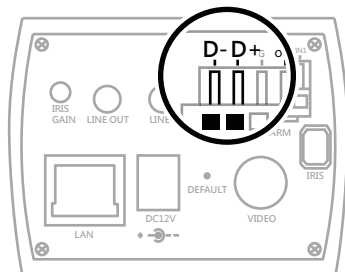


(3) Please lock the camera back to the pan tilt driver (each one on the each side)



## 3 Connect control wire

Please insert the control wire into RS485 D+ and D- port. Owing to special design, the order of D+ and D- will not affect its' working.



iCam

## 4 Connect to power cord

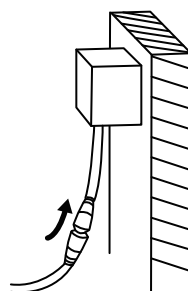
Connect pan tilt driver "share power" to the iCam/iCam PRO



## 5 Connect to socket

Connect the one side DC12V transformer to the pan tilt driver, the other side to socket (AC 110/220V).

**!** When fix the PTD on the wall, please make sure using the suitable screw based on the material of wall.



## 6 Camera setting

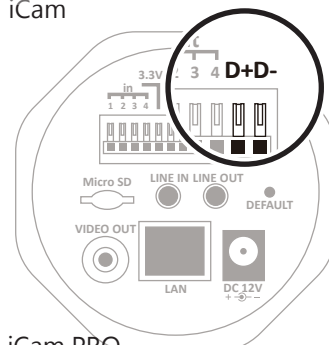
(1) Using Microsoft Internet Explorer and enter the IP of iCam/iCam PRO. Click settings and choose camera

(2) Please set PTZ as following

PTZ	
Portocol	PelcoD
Device ID	1
Baud Rate	2400
Speed	16
Min. Move Time	0 sec

## 7 Function operation

The Pan Tilt Driver can be controlled via iCam Live or Matrix software.



iCam PRO